



# WINDOW PRODUCTS LIMITED

Effective solutions for windows manufacturers and fitters

Unit 4203 Oakfield Close,  
Tewkesbury Business Park,  
Tewkesbury, Glos  
GL20 8PF

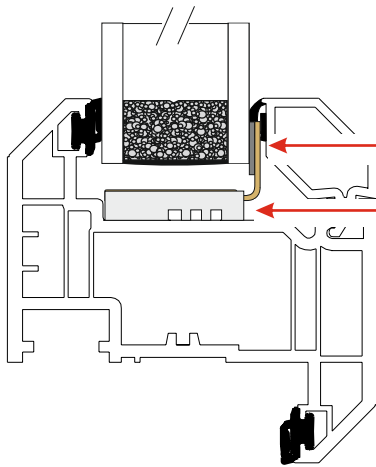
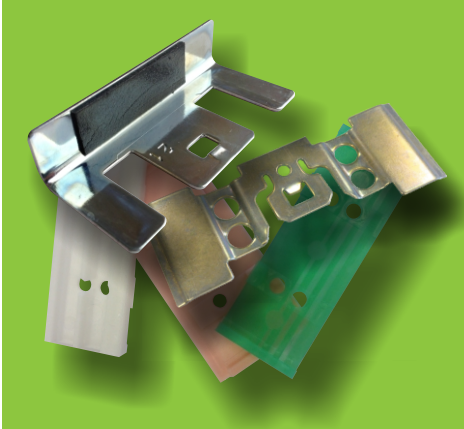
T: 01684 290944

E: sales@gtwindowproducts.co.uk

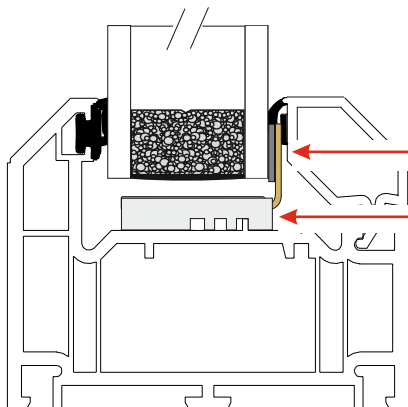
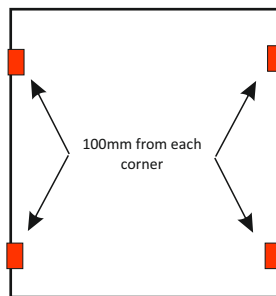
W: www.gtwindowproducts.co.uk

## GT Securi-Clip

Patent No. GB2403979B



- SECURI-CLIP  
Use SC125 for 28mm units
- Use SB000 Base Plate  
with GT014 White Packer



- SECURI-CLIP  
Use SC125 for 28mm units
- Use SB000 Base Plate  
with GT014 White Packer

Use same combination for all transoms and mullions with fixed glazed units.  
All fixings, where possible, should go into steel reinforcing.

**GT SECURI-CLIP** is a patented glass retention system which, when fitted in the appropriate numbers and position, assists internally and externally beaded windows and doors to meet the requirements of PAS 23/24. (see system test reports)

The clip set assembly is comprised of a baseplate, a clip to suit the sealed unit thickness and a buffer to prevent contact between glass and clip. A profile related packer is available to adapt the base when required for recessed profile.

**GT SECURI-CLIP** may be used on PVCu, Aluminum or Timber windows and doors.

Assembly into a window or door frame is quick and easy either for on site glazing or factory glazing, which ever suits your own requirements.

The operation of de-glazing is simplified by using a designated key.

### Advance 70

All drawings are not to scale  
Reinforcement and fixings have been omitted for clarity  
UK Fasteners screws were used for testing when required

